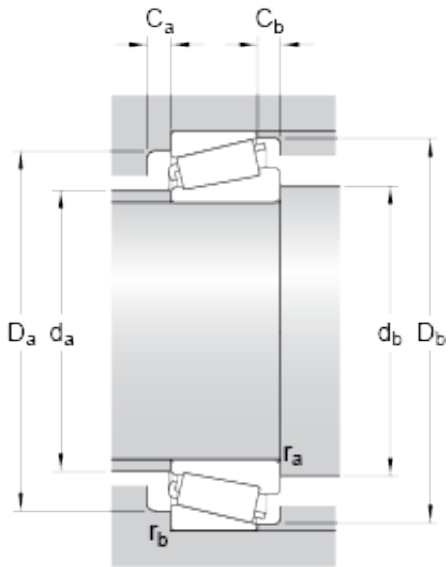




American Bearing Co., Ltd



30213 Bearing 2D drawings and 3D CAD models

Auto Parts Bearing Spare Parts Bearings 30213
 32213 30312 31313 32226 Motorcycle Parts
 Tapered Roller Bearing with SKF NSK Timken
 FAG

Bearing No. 30213

Dimension series	3EB
d	65 mm
D	120 mm
T	24.75 mm
d ₁	89 mm
B	23 mm
C	20 mm
r _{1,2} min.	2 mm
r _{3,4} min.	1.5 mm
a	23.054 mm
d _a max.	78 mm
d _b min.	75.5 mm
D _a min.	106 mm
D _a max.	111.5 mm
D _b min.	113 mm
C _a min.	4 mm
C _b min.	4.5 mm
r _a max.	2 mm
r _b max.	1.5 mm
Basic dynamic load rating C	141 kN
Basic static load rating C ₀	134 kN
Fatigue load limit P _u	16.3 kN
Reference speed	4500 r/min
Limiting speed	5600 r/min



American Bearing Co., Ltd

Calculation factor e	0.4
Calculation factor Y	1.5
Calculation factor Y_0	0.8
Mass bearing	1.12 kg