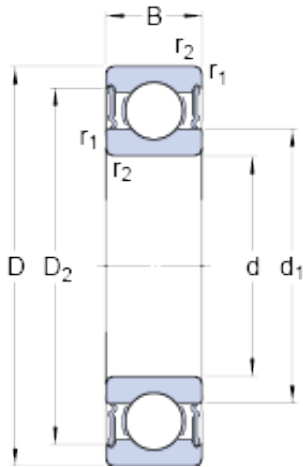




American Bearing Co., Ltd



23128C/CK Self-aligning Roller Bearing 140*225*68mm

Bearing No. 6214-2RS1

6214-2RS1 Bearing 2D drawings and 3D CAD models

Size	125x70x24 mm
Bore Diameter	125 mm
Outer Diameter	70 mm
Width	24 mm
d	70 mm
D	125 mm
B	24 mm
d ₁	87.05 mm
D ₂	111 mm
r _{1,2} - min.	1.5 mm
d _a - min.	79 mm
d _a - max.	87 mm
D _a - max.	116 mm
r _a - max.	1.5 mm
Basic dynamic load rating - C	63.7 kN
Basic static load rating - C ₀	45 kN
Fatigue load limit - P _u	1.9 kN
Limiting speed	3400 r/min
Calculation factor - k _r	0.025
Calculation factor - f ₀	14.7
Category	Single Row Ball Bearings
Inventory	0.0
Manufacturer Name	SKF
Minimum Buy Quantity	N/A



American Bearing Co., Ltd

Weight / Kilogram	1.14
EAN	7316570615043
Product Group	B00308
Enclosure	2 Seals
Precision Class	ABEC 1 ISO P0
Maximum Capacity / Filling Slot	No
Rolling Element	Ball Bearing
Snap Ring	No
Internal Special Features	No
Cage Material	Steel
Enclosure Type	Contact Seal
Internal Clearance	C0-Medium
Inch - Metric	Metric
Long Description	70MM Bore; 125MM Outside Diameter; 24MM Outer Race Diameter; 2 Seals; Ball Bearing; ABEC 1 ISO P0; No Filling Slot; No Snap Ring; No Internal Special Features
Category	Single Row Ball Bearing
UNSPSC	31171504
Harmonized Tariff Code	8482.10.50.68
Noun	Bearing
Keyword String	Ball
Manufacturer URL	http://www.skf.com
Manufacturer Item Number	6214-2RS1
Weight / LBS	2.5
Bore	2.756 Inch 70 Millimeter
Outside Diameter	4.921 Inch 125 Millimeter
Outer Race Width	0.945 Inch 24 Millimeter
d ₁	87.05 mm
D ₂	111 mm



American Bearing Co., Ltd

$r_{1,2}$ min.	1.5 mm
d_a min.	79 mm
d_a max.	87 mm
D_a max.	116 mm
r_a max.	1.5 mm
Basic dynamic load rating C	63.7 kN
Basic static load rating C_0	45 kN
Fatigue load limit P_u	1.9 kN
Calculation factor k_r	0.025
Calculation factor f_0	14.7
Mass bearing	1.12 kg