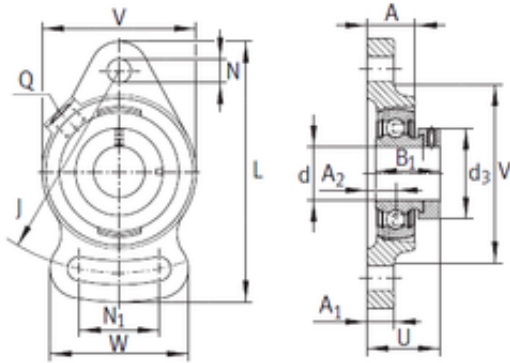




American Bearing Co., Ltd

23012C/CK Self-aligning Roller Bearing 60*95*26mm



Bearing No. PSFT20

Bore Diameter	20 mm
d	20 mm
V	61 mm
U	34 mm
Thread (Q)	Rp1/8
d3	33 mm
A	18 mm
A1	10 mm
B1	31 mm
J	90 mm
L	112 mm
N	11,5 mm
N1	30 mm
W	52 mm
A2	10,5 mm
Weight	0,41 Kg
Basic dynamic load rating (C)	12,8 kN
Category	Mounted Units & Inserts
Inventory	0.0
Manufacturer Name	SCHAEFFLER GROUP
Minimum Buy Quantity	N/A
Weight / Kilogram	0.587
EAN	4012802799293
Product Group	M06110

PSFT20 Bearing 2D drawings and 3D CAD models