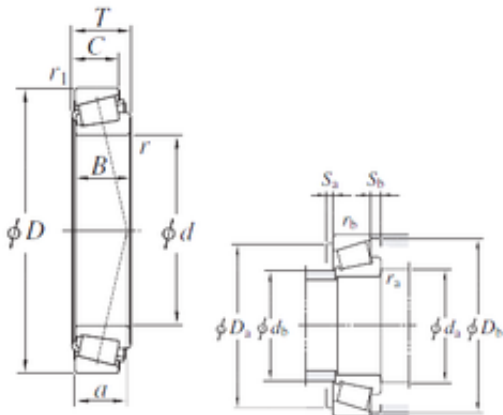




American Bearing Co., Ltd

32024 Bearing

Bearing No. 32224JR



32224JR Bearing 2D drawings and 3D CAD models

Size	120x215x61.5 mm
Bore Diameter	120 mm
Outer Diameter	215 mm
Width	61,5 mm
d	120 mm
D	215 mm
T	61,5 mm
B	58 mm
C	50 mm
a	51,6 mm
r min.	3 mm
r1 min.	2,5 mm
r2 min.	2,5 mm
da min.	134 mm
da max	136 mm
Da min	181 mm
Da max.	203 mm
db max.	136 mm
Db min.	204 mm
ra max.	2,5 mm
rb max.	2 mm
Db	204 mm
Weight	9,04 Kg
Basic dynamic load rating (C)	470 kN
Basic static load rating (C0)	691 kN
(Grease) Lubrication Speed	1700 r/min



American Bearing Co., Ltd

(Oil) Lubrication Speed	2300 r/min
Calculation factor (e)	0,44
Calculation factor (Y0)	0,76
Category	Tapered Roller Bearing Assemblies
Inventory	0.0
Manufacturer Name	KOYO
Minimum Buy Quantity	N/A
Weight / Kilogram	10.26
Product Group	B04334
Precision Class	Standard
Component	Assembly
Basic Number	32224
Number of Tapered Rows	Single Row
Inch - Metric	Metric
Other Features	High Load Capacity
Long Description	Assembly; Standard Precision; 120MM Bore; 215MM Outside Diameter; 61.5MM Assembly Width; Single Row of Rollers
Category	Tapered Roller Bearings Assembly
UNSPSC	31171516
Harmonized Tariff Code	8482.20.00.00
Noun	Bearing
Keyword String	Tapered
Manufacturer URL	http://www.koyousa.com
Manufacturer Item Number	32224JR
Weight / LBS	19.93
Assembly Width	2.421 Inch 61.5 Millimeter
Bore	4.724 Inch 120 Millimeter
Outside Diameter	8.465 Inch 215 Millimeter
Flange Outside Diameter	0 Inch 0 Millimeter



American Bearing Co., Ltd

Bearing No.	32224JR
r(min)	3
r1(min)	2.5
Cr	589
C0r	691
Cu	84.0
Grease lub.	1700
Oil lub.	2300
a	51.6 mm
da(min)	134
db(max)	136
Da(max)	203
Da(min)	181
Db(min)	204
Sa(min)	7
Sb(min)	11.5
ra(max)	2.5
rb(max)	2
e	0.44
Y1	1.38
Y0	0.76
(Refer.)Mass(kg)	9.04